



12W76ND-8

12In Low Frequency Driver

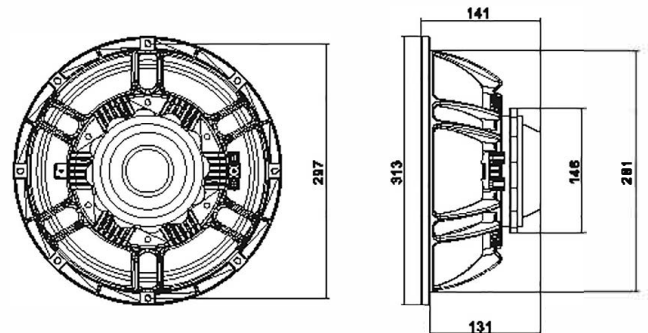
Features

- 3in Voicecoil
- High Sensitivity



Specifications

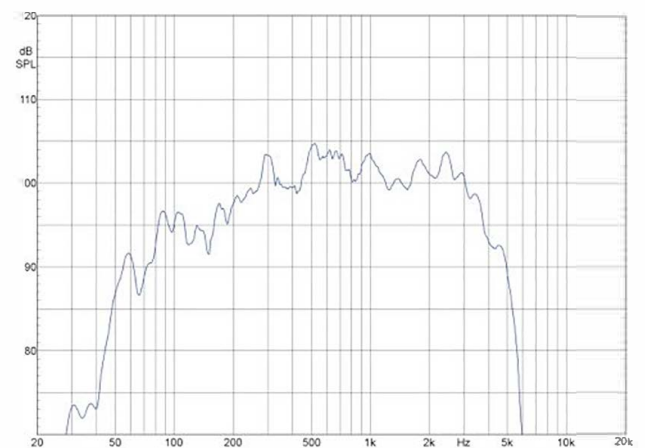
Nominal Diameter	320mm (12in)
Nominal Power (AES) ¹	400W
Program Power ²	800W
Sensitivity (1W/1m) ³	100dB
Voice Coil Diameter	76mm (3in)
Magnet Material	Neodymium
Nominal Impedance	8Ω
Frequency Range	50 - 4000Hz



Thiele & Small Parameters

Fs	49.0Hz
Qes	0.26
Qts	0.25
Qms	6.2
Re	5.2Ω
Sd	535cm ²
Vas	86.9L
BxL	17.3Tm
Mms	49.1g
Le (1kHz)	0.7mH
Xmax (lin.) ⁴	±4mm

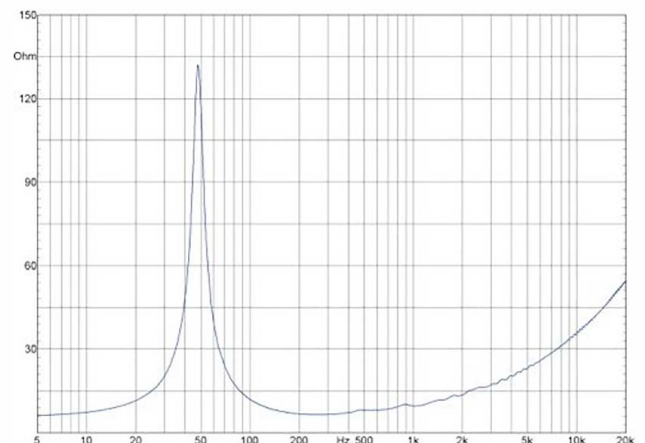
Frequency response measured in a vented enclosure with 55l, tuned at 80 Hz



Mounting Information

Overall Diameter	313mm
Mounting Holes Diameter	8x 8mm x 6.5mm
Bolt Circle Diameter	297mm
Baffle Cutout	283mm
Overall Depth	141mm
Net Weight	3.9kg

Impedance for 8Ω driver



Notes: 1 2 hours test with pink noise (6dB crest) between Fc and 10Fc. Power calculated on rated minimum impedance.
 2 Program Power is defined as 3dB greater than the AES Power
 3 RMS Voltage set to 2.83V at nominal impedance
 4 Xmax is defined as (Hc - Hg)/2